



radiator centre ltd

# [ corner ]

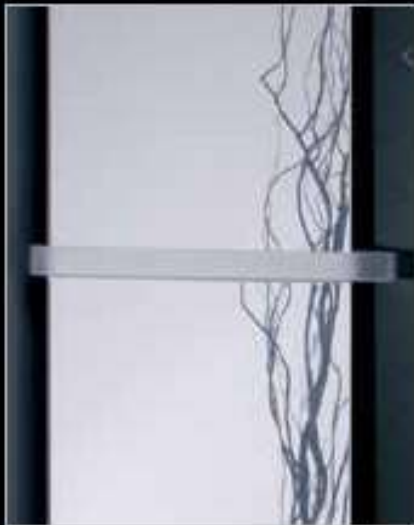
## [ corner ]

When space is tight or room layout awkward, the Corner is a perfect solution. The Corner is an unusual minimalist space saving radiator. If you're looking to make more room in a bathroom, an optional towel holder is available. The Corner comes in either polished or satin finishes.

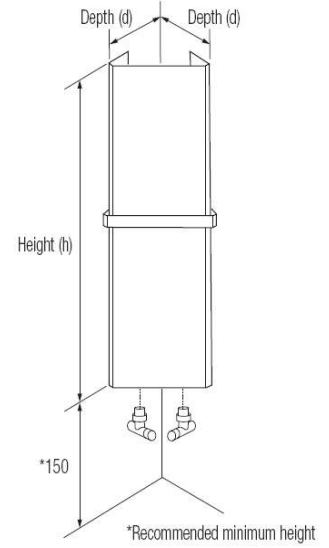
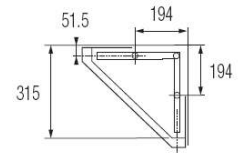
### Standard Finishes:

[ polished ]

[ satin ]



[ mainpic ]: corner



Product Code (Heating Only)	Height (mm) (h)	Width (mm) (w)	Depth (mm) (d)	Wall to Face (mm)	Tapping Centres (mm)			Heat Output Watts EN442 $\Delta t$ 60°C	Dry Weight (Kg)	Water Content (ltrs)	Product Codes (Electric) *2				Estimated delivery *1
					(c1)	(c2)	(c3)				HE	E	POL1 - HE	POL1 - E	
HUG[*]J1180028 ZXTHOLD-13 Towel Holder	1800	280	280	-	-	-	-	1247	24,5	0,7	n/a	n/a	n/a	n/a	L

• [\*] Available finishes = Polished (04) : Satin (06) - Satin finish extends delivery time, see price list for details. • Optional extras = Towel holder

**Notes:**  
 • Max operating pressure 5 bar • All connections 1/2" BSP • Manufactured from aluminium/stainless steel front plate • See diagram for dimensional / connection details \*1 Note: MHS lorry delivery only, allow up to 10 working days.