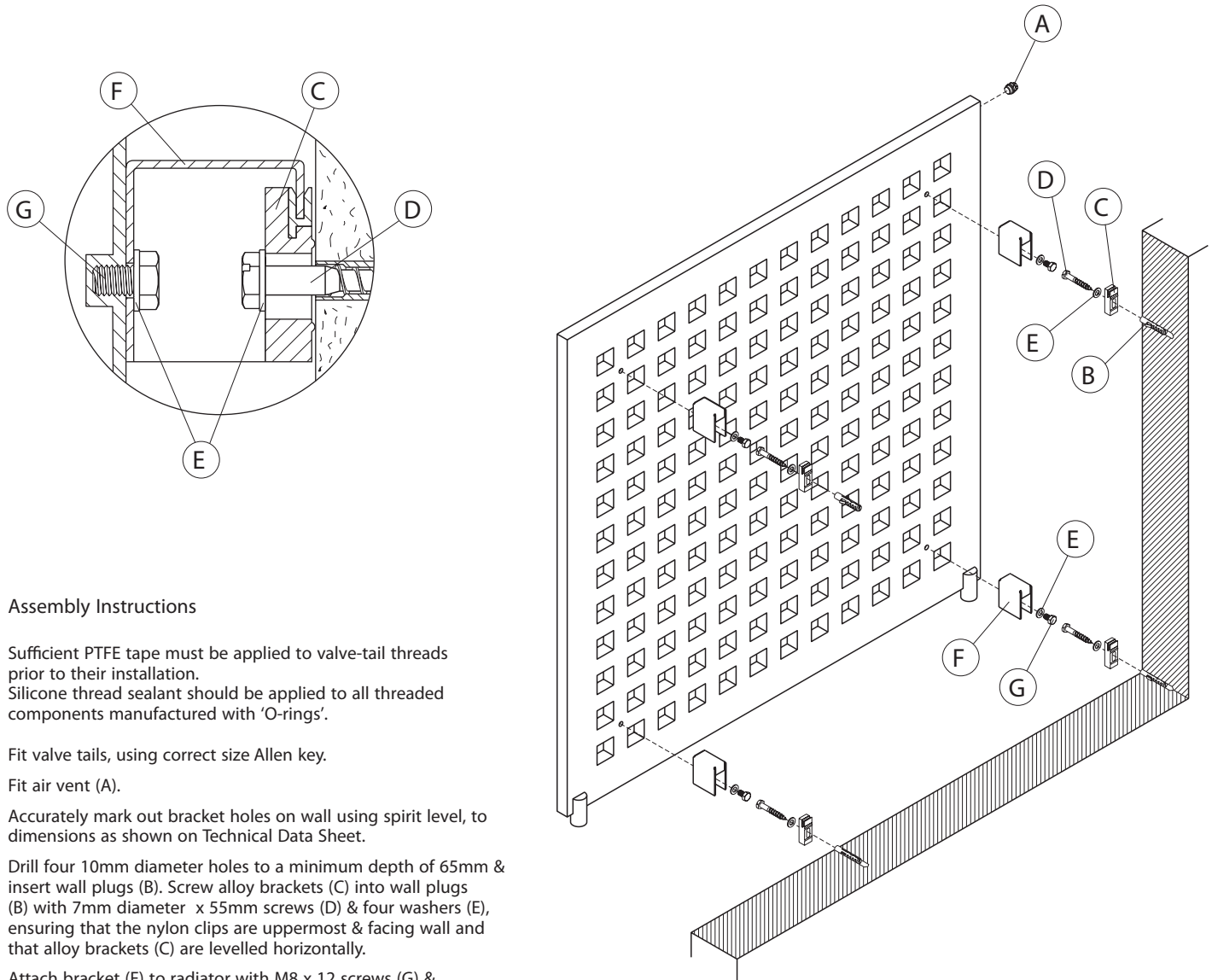


Tools & Material Required

- Suitable valves
- PTFE tape
- Silicone thread sealant
- Tape measure
- Allen key - 13mm & 12mm (when installing Bisque valves)
- Spanner - 14mm
- Socket driver - 13mm
- Screwdriver - large flathead
- Electric drill
- Masonry drill bit - 10mm diameter
- Spirit level
- Stepladder (for taller radiators)

Key	Component	Qty
A	Air Vent - 1/4"	1
B	Wall Plug	4
C	Bracket - Alloy	4
D	Screw - Hex Head, 7mm dia x 55mm	4
E	Washer	8
F	Bracket - Box Section	4
G	Screw - Hex Head, M8 x 12mm	4
H	Air Vent Key	1



Assembly Instructions

- Sufficient PTFE tape must be applied to valve-tail threads prior to their installation.
- Silicone thread sealant should be applied to all threaded components manufactured with 'O-rings'.
- Fit valve tails, using correct size Allen key.
- Fit air vent (A).
- Accurately mark out bracket holes on wall using spirit level, to dimensions as shown on Technical Data Sheet.
- Drill four 10mm diameter holes to a minimum depth of 65mm & insert wall plugs (B). Screw alloy brackets (C) into wall plugs (B) with 7mm diameter x 55mm screws (D) & four washers (E), ensuring that the nylon clips are uppermost & facing wall and that alloy brackets (C) are levelled horizontally.
- Attach bracket (F) to radiator with M8 x 12 screws (G) & washers (E).
- Hang radiator & bracket (F) assembly onto alloy brackets (C).
- Plumb radiator to heating circuit with flow opposite air vent.

