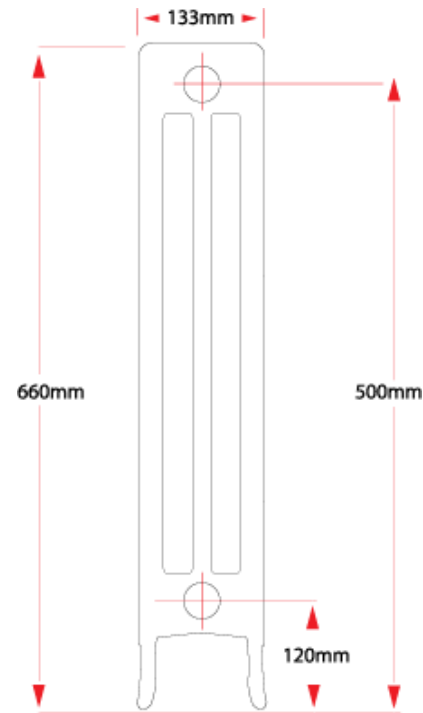


Edwardian 2



Edwardian 2

Height: 650mm

Standard Lengths: 273 -1407mm

Standard Models: 15

Depth: 133mm

Output Range: 448 - 2548 W

Additional lengths are possible, requiring onsite assembly (by others)

For in-situ constructions of radiator models over 17 sections wide: Please note:

A joining key is required and can be supplied for in-situ additions of extra sections over the standard factory configurations, this will be charged at £100 plus vat which will be refunded when returned to our warehouse

Fittings:

2 x 1/2" Bushes

1 X Blank Plug

1 X 1/8" Air Vent Bush

1 X Brass 1/8" Air Vent

